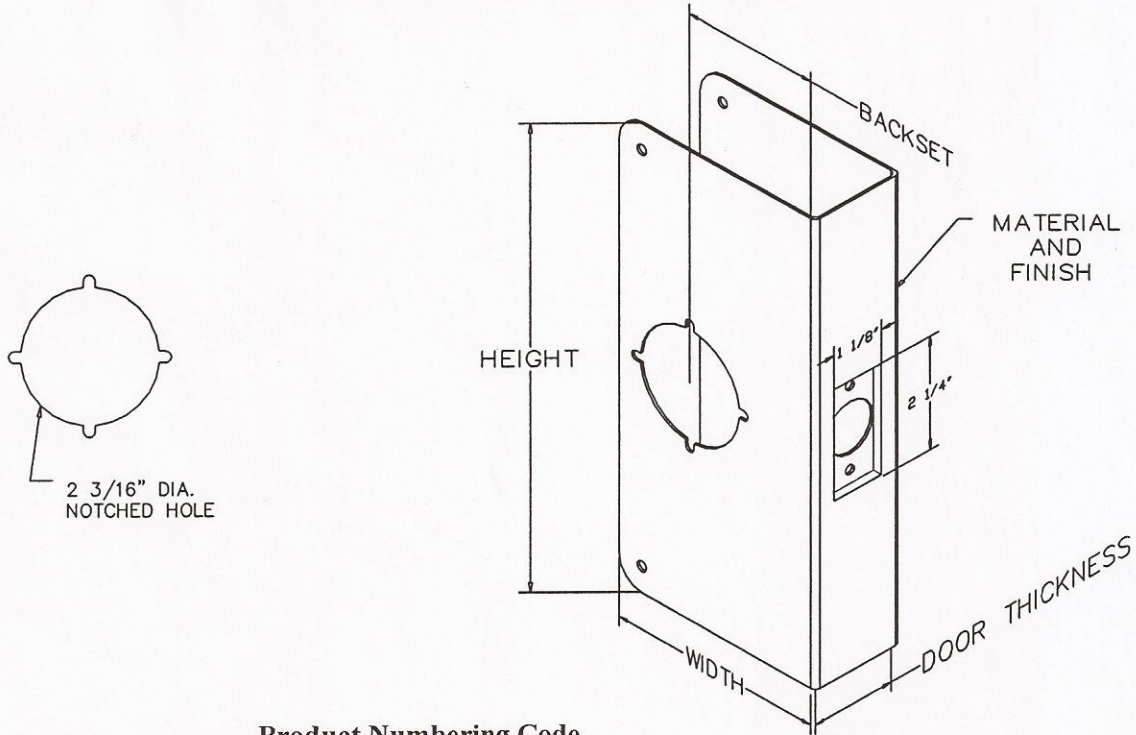


PASSAGE FILLER PLATES



Product Numbering Code

Height	Style Passage	Door Thickness	Material and Finish	Backset	Width (Reference Only)
4 = 4 1/2"	P	13 = 1 3/8" (1.375)	SS = SATIN STAINLESS	23 = 2 3/8" (2.375)	3 15/16"
9 = 9"		17 = 1 3/4" (1.75)	BB = BRIGHT BRASS	27 = 2 3/4" (2.75)	4 5/16"
15 = 15"		2 = 2" (2.00)	SB = SATIN BRASS	37 = 3 3/4" (3.75)	5 5/16"
20 = 20"		22 = 2 1/4" (2.25)	AB = ANTIQUE BRASS	5 = 5" (5.00)	6 9/16"
		25 = 2 1/2" (2.50)	SBZ = SATIN BRONZE		* AS NOTED

Stock Passage

4 P 13 SS 23 BB SB AB SBZ	4 P 13 SS 27 BB SB AB SBZ	4 P 17 SS 23 BB SB AB SBZ	
4 P 17 SS 27 BB SB AB SBZ	9 P 13 SS 23 BB SB AB SBZ	9 P 13 SS 27 BB SB AB SBZ	
9 P 17 SS 23 BB SB AB SBZ	9 P 17 SS 27 BB SB AB SBZ	9 P 17 SS 37 BB SB AB SBZ	
9 P 17 SS 5 BB SB AB SBZ	9 P 2 SS 27 BB SB AB SBZ	9 P 22 SS 27 BB SB AB SBZ	
9 P 25 SS 27 BB SB AB SBZ	12 P 17 SS 27 BB SB AB SBZ	15 P 17 SS 27 BB SB AB SBZ	20 P 17 SS 27 (*WIDTH 5 1/8") BB SB AB SBZ

Custom filler plates available upon request.