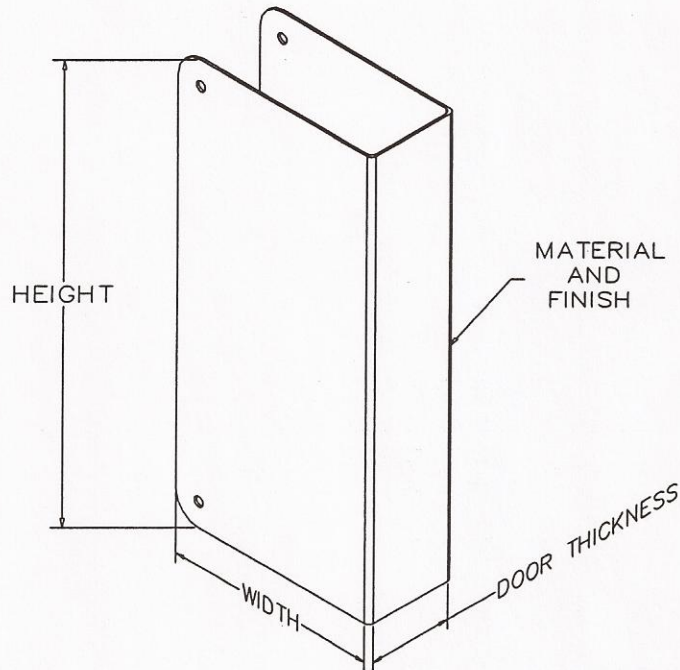


BLANK FILLER PLATES



Product Numbering Code					Reference Only
Height	Style Blank	Door Thickness	Material and Finish	Width	Number of Mounting Holes
4 = 4 1/2"	B	13 = 1 3/8" (1.375)	SS = SATIN STAINLESS	43 = 4 5/16" (4.312)	2 PER SIDE (4 1/2")
9 = 9"		17 = 1 3/4" (1.75)	BB = BRIGHT BRASS	51 = 5 1/8" (5.125)	2 PER SIDE (9")
12 = 12"		2 = 2" (2.00)	SB = SATIN BRASS	65 = 6 9/16" (6.562)	2 PER SIDE (12")
15 = 15"		22 = 2 1/4" (2.25)	AB = ANTIQUE BRASS		3 PER SIDE (15")
20 = 20"		25 = 2 1/2" (2.50)	SBZ = SATIN BRONZE		4 PER SIDE (20")
			GS = GALVANIZED STEEL FOR PAINTING		

Stock Blank

4 B 13 SS 43 BB SB AB SBZ GS	4 B 17 SS 43 BB SB AB SBZ GS	9 B 13 SS 43 BB SB AB SBZ GS	
9 B 17 SS 43 BB SB AB SBZ GS	9 B 17 SS 65 BB SB AB SBZ GS	9 B 2 SS 43 BB SB AB SBZ GS	12 B 17 SS 43 BB SB AB SBZ GS
15 B 17 SS 43 BB SB AB SBZ GS	15 B 17 SS 51 BB SB AB SBZ GS	15 B 2 SS 43 BB SB AB SBZ GS	20 B 17 SS 43 BB SB AB SBZ GS