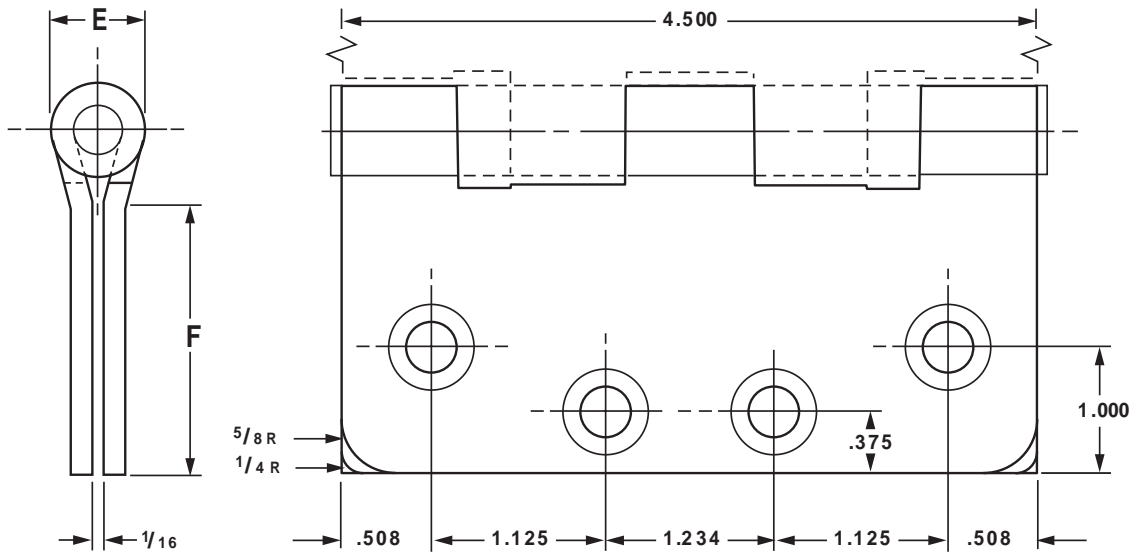


FULL MORTISE TEMPLATE BUTT HINGES

Sizes: 4½ × 4, 4½ × 4½, 4½ × 5, 4½ × 6, 4½ × 7 and 4½ × 8"



DO NOT SCALE

CLASS NUMBER		Gauge of Metal	(E) Outside Diameter	DISTANCE FROM EDGE OF LEAF TO SWAGE LINE (F)					
Steel Hinges	Nonferrous Hinges			4½ × 4	4½ × 4½	4½ × 5	4½ × 6	4½ × 7	4½ × 8
F179	F191	0.134	0.605	1 5/8	1 29/32	2 5/32	2 21/32	3 5/32	2 21/32
1900	1960	0.134	0.540	1 5/8	1 13/16	—	—	—	—
1900R	1960R	0.134	0.605	1 5/8	1 29/32	—	—	—	—
CB179	CB191	0.134	0.625	1 5/8	1 25/32	2 3/32	2 19/32	—	—
FBB179	FBB191	0.134	0.625	1 5/8	1 25/32	2 3/32	2 19/32	—	—
CB1900	CB1960	0.134	0.540	1 5/8	1 13/16	—	—	—	—
CB1900R	CB1960R	0.134	0.625	1 5/8	1 25/32	2 3/32	2 19/32	—	—
CB168	CB199	0.180	0.698	1 15/32	1 23/32	1 31/32	2 15/32	2 31/32	3 15/32
FBB168	FBB199	0.180	0.698	1 15/32	1 23/32	1 31/32	2 15/32	2 31/32	3 15/32
IHTCB168	IHTCB199	0.180	0.698	1 15/32	1 23/32	—	—	—	—
—	CB0701	0.180	0.698	1 15/32	1 23/32	—	—	—	—
CB1901	CB1961	0.180	0.690	—	1 13/16	—	—	—	—
CB1901R	CB1961R	0.180	0.698	1 15/32	1 23/32	1 31/32	2 15/32	2 31/32	3 15/32
IHTCB1901	IHTCB1961	0.180	0.690	1 15/32	1 13/16	—	—	—	—
IHTCB1901R	IHTCB1961R	0.180	0.698	1 15/32	1 23/32	—	—	—	—
2060R	—	0.134	0.783	1 5/8	1 27/32	—	—	—	—

Template hinges of the hospital type conform to above screw hole location. Hospital type hinges are designated by prefix "HT" to class number (except on #2060). Also available in RD2060 1/4 radius corner and RD2068 5/8 radius corner.

Machine Screw Size — ½ × 12-24 F.H.
Wood Screw Size — 1¼ × No. 12 F.H.

This template conforms with ANSI standard A156.7.