

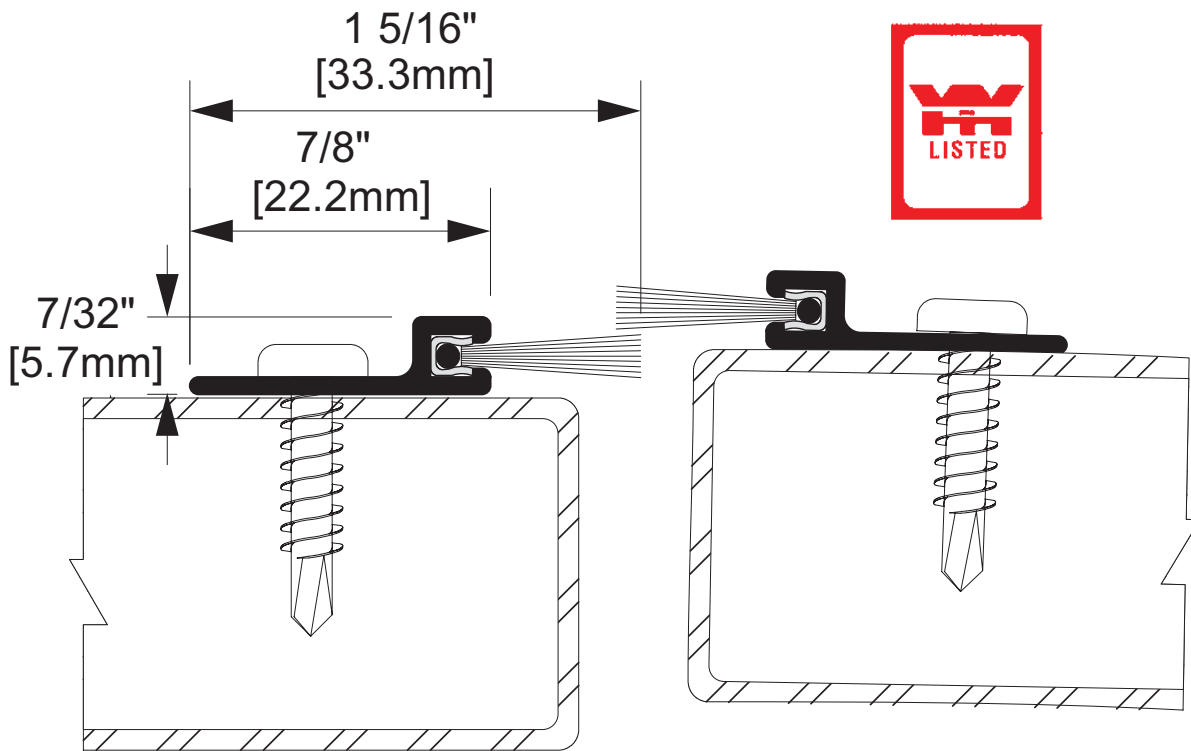


**Canada**  
 K.N. CROWDER MFG. INC.  
 1220 Burloak Drive  
 Burlington, Ontario  
 L7L 6B3  
 Telephone (905) 315-9788  
 Toll Free Fax 1-800-567-0123  
 customerservice@kncrowder.com

**USA**  
 K.N. CROWDER INC.  
 210 Eighth Street South  
 Lewiston, New York  
 14092  
 Telephone (716) 754-8247  
 Toll Free Fax 1-800-567-0123  
 customerservice@kncrowder.com

# W-25

|                  |                               |
|------------------|-------------------------------|
| <b>Operation</b> | Astragal                      |
| <b>Features</b>  | Extruded Alum. & Vinyl Insert |



## W-25

CLEAR ANODIZED ALUMINUM  
AND NYLON BRUSH

|                      |                         |             |                    |
|----------------------|-------------------------|-------------|--------------------|
| <b>Part No.</b>      | <b>Part Description</b> |             |                    |
| <b>Customer Name</b> | <b>Job No./Name</b>     | <b>Date</b> | <b>Provided By</b> |
| <b>Note</b>          |                         |             |                    |